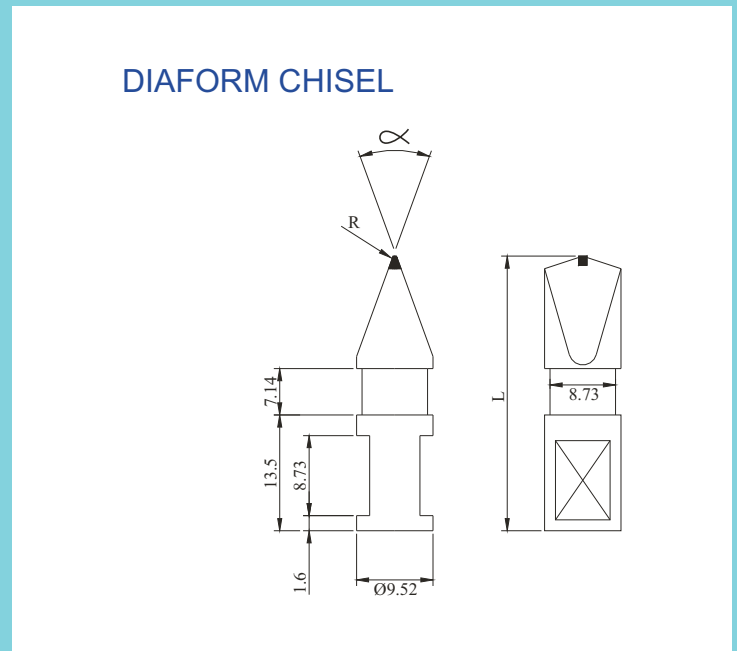


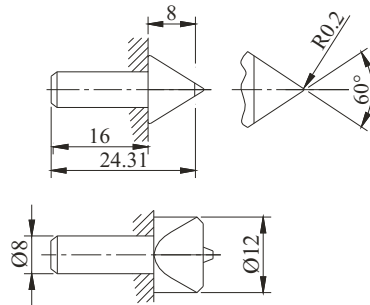
Chisel Type (Profile) Diamond Dressers

Radius in mm	Angle α	Tool Code
0.125R		DC1-A40L
0.250R	40°	DC2-A40L
0.500R		DC5-A40L
0.125R		DC1-A60L
0.250R	60°	DC2-A60L
0.500R		DC5-A60L

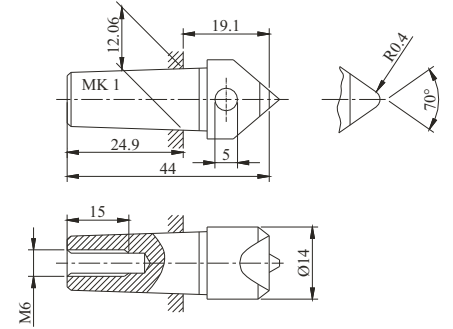
Length - L
 L1 - Length 35 mm
 L2 - Length 44.5 mm
 L3 - Length 57.8 mm



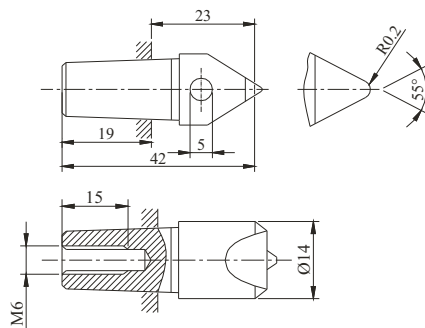
MSO
0.2R 60°



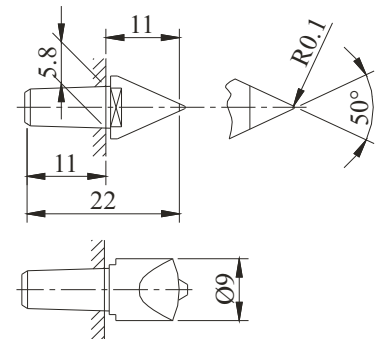
SCHAUDT
0.4R 70°



FORTUNA
0.2R 55°



JUNG RA 38-53
0.1R 50°



REISHAUER

